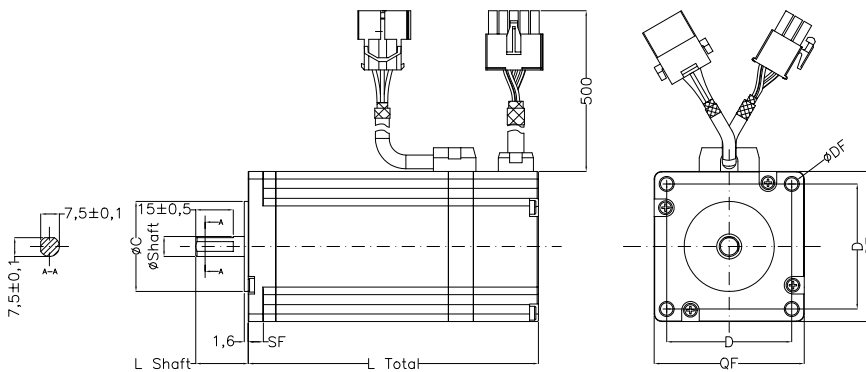




• OVERALL DIMENSIONS

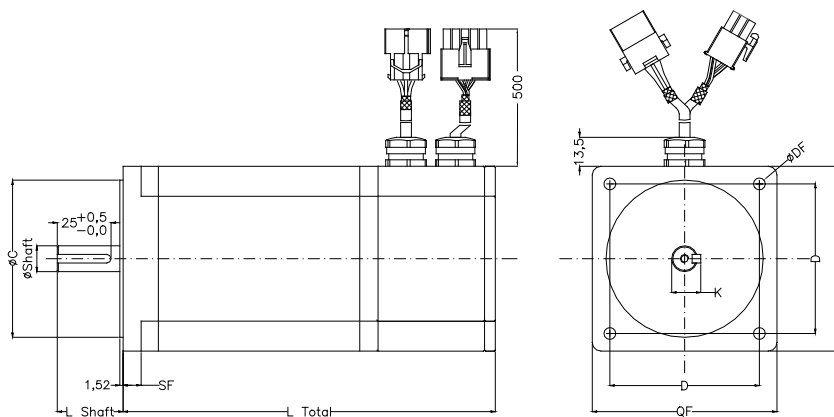
Motor type	Stall torque (Nm)	L total Length (mm)	QF Flange (mm)	C Centering (mm)	SF Thickness flange (mm)	D Holes distances (mm)	DF Fixing holes (mm)	Ø Shaft (mm)	K (mm)	L Shaft (mm)	Weight (kg)
MM609442	2,8	116	60	36,05	6,00	50,2	4-Ø5,5	8	-	21,0	1,5
MM868055	4,6	135	86	73,02	8,38	69,5	4-Ø5,5	12	13,5	30,6	2,8
MM8611880	8,7	173	86	73,02	8,38	69,5	4-Ø5,5	12/14	16,0	30,6	4,3
MM8615699	12	211	86	73,02	8,38	69,5	4-Ø5,5	14	16,0	30,6	5,8
MM11015065	21	205	110	55,52	12,5	89,00	4-Ø8,5	19	21,5	55,37	9

• OVERALL DIMENSIONS FLANGE 60

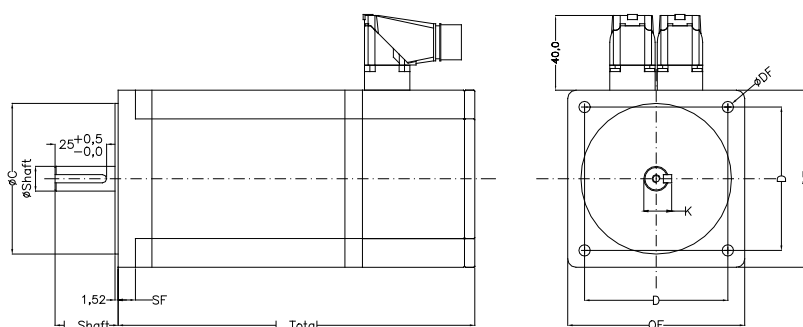


• AMP CONNECTORS

• OVERALL DIMENSIONS FLANGE 86 - 110



• AMP CONNECTORS



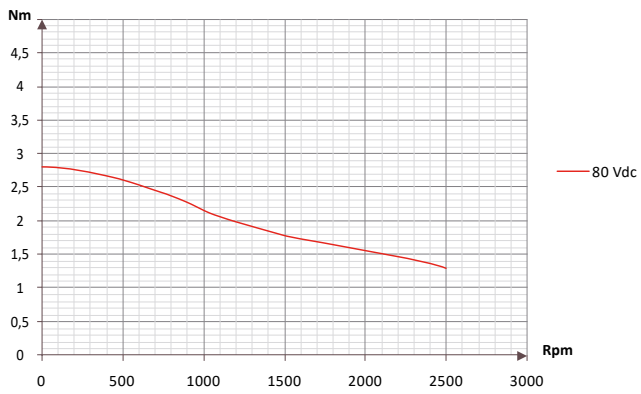
• CIRCULAR CONNECTORS

MM

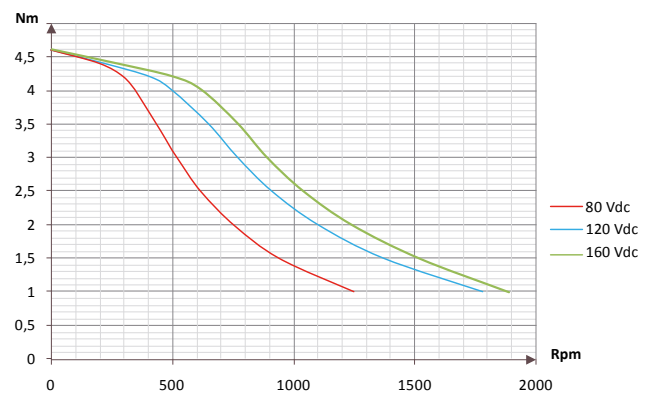
Stepless motors



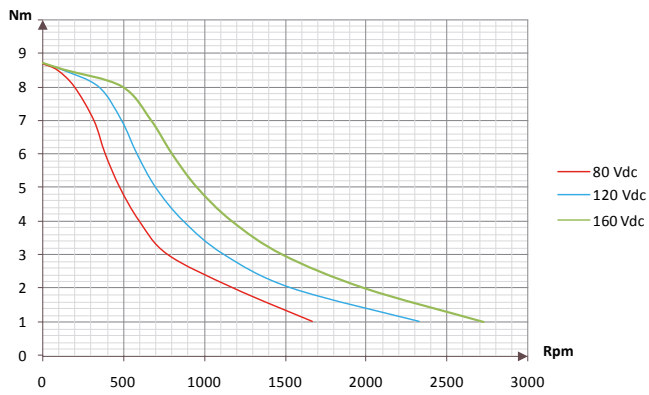
• TORQUE CURVES



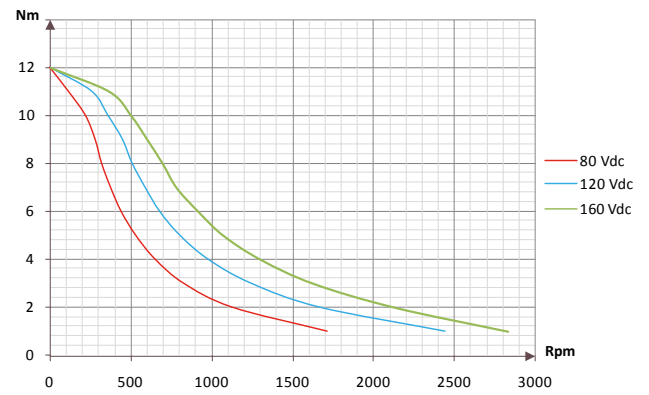
SVM - MM609442 - 2,8 Nm



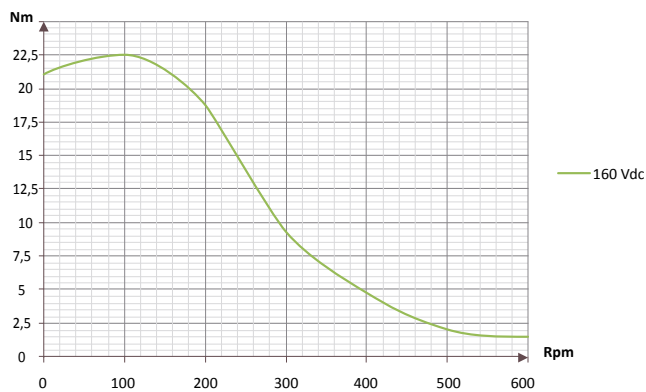
SVM - MM868055 - 4,6 Nm



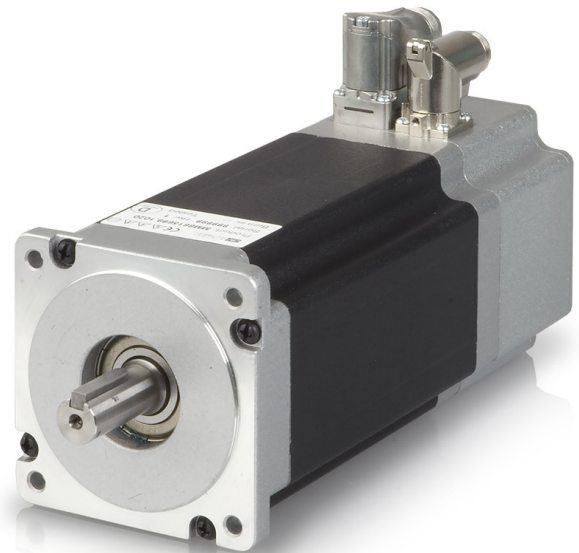
SVM - MM8611880 - 8,7 Nm



SVM - MM8615699 - 12Nm



SVM - MM11015065 - 21Nm



MM

Ordering Codes

• MM

Ordering codes with Optionals:

x				a	b	c	d	
MM	60	9442	.	3	6	1	0	
x	MM	60	9442		□ FL60 mm	780 gcm ²	Ø 8mm	Inc enc 1000 pulse/turn
	MM	86	8055		□ FL86 mm	1400 gcm ²	Ø 12mm	Inc enc 2000 pulse/turn
	MM	86	11880		□ FL86 mm	2700 gcm ²	Ø 12 or 14mm	Inc enc 2000 pulse/turn
	MM	86	15699		□ FL86 mm	4000 gcm ²	Ø 14mm	Inc enc 2000 pulse/turn
	MM	110	15065		□ FL110 mm	10900 gcm ²	Ø 19mm	Inc enc 2000 pulse/turn
a	0				Shaft Diameter: 12 mm Keyed shaft (ONLY FOR 4,6 Nm and 8,7Nm)			
	1				Shaft Diameter: 14 mm Keyed shaft (ONLY FOR 8,7 Nm and 12Nm)			
	2				Shaft Diameter: 19 mm Keyed shaft (ONLY FOR 21Nm)			
	3				Shaft Diameter: 8 mm Keyed shaft (ONLY FOR 2,8 Nm)			
b	0				Incremental encoder 2000 pulse/turn (ONLY FOR MM86 and MM110)			
	3				Incremental encoder 2000 pulse/turn + Thermal sensor (ONLY FOR MM86 and MM110)			
	6				Incremental encoder 1000 pulse/turn (ONLY FOR MM60)			
c	1				AMP connectors with cable output 50cm			
	2				Circular connector output 90°			
d	0				IP44			

* Usable only up to the speed of 500 rpm

Ordering Codes

• CABLES

Type	Description	Lenght (mt)
Cable with connector motor side and drive side for fixed installation		
CSMP.IIPS.PF6S.A.0500	Motor cable for motors cover box with AMP 6 poles	5
CSMP.IIPS.PF6S.A.0300	Motor cable for motors cover box with AMP 6 poles	3
CSEI.DMCS.PF9S.A.0500	Encoder cable for motors cover box with AMP 15 poles	5
CSEI.DMCS.PF9S.A.0300	Encoder cable for motors cover box with AMP 15 poles	3
CSMP.IIPS.CFCS.A.0500	Motor cable for motors cover box circular connector 7 poles	5
CSMP.IIPS.CFCS.A.0300	Motor cable for motors cover box circular connector 7 poles	3
CSEI.DMCS.CFCS.A.0500	Encoder cable for motors cover box circular connector 12 poles	5
CSEI.DMCS.CFCS.A.0300	Encoder cable for motors cover box circular connector 12 poles	3
CSIT.DMCS.CFCS.C.0500	Encoder cable for motor cover box with temperature sensor circular connector 12 poles	5
CSIT.DMCS.CFCS.C.0300	Encoder cable for motor cover box with temperature sensor circular connector 12 poles	3
Cable with connector motor side and drive side for flexing installation		
CSMP.IIPS.CFCS.B.0500	Motor cable for motors cover box circular connector 7 poles	5
CSMP.IIPS.CFCS.B.0300	Motor cable for motors cover box circular connector 7 poles	3
CSEI.DMCS.CFCS.C.0500	Encoder cable for motors cover box circular connector 12 poles	5
CSEI.DMCS.CFCS.C.0300	Encoder cable for motors cover box circular connector 12 poles	3
CSIT.DMCS.CFCS.D.0500	Encoder cable for motor cover box with temperature sensor circular connector 12 poles	5
CSIT.DMCS.CFCS.D.0300	Encoder cable for motor cover box with temperature sensor circular connector 12 poles	3

• POWER SUPPLY

Ordering codes with optional : SDPOW0.xxx

Auxiliary output 24Vdc 150mA

SDPOW0.201	Power supply AC/DC 80Vdc-120Vdc
SDPOW0.211	Power supply AC/DC 80Vdc-120Vdc + DIN guide

Ordering code with optional : SDPOWR.xx

Auxiliary output up to 50Vdc 1A

SDPOWR.00	Power Supply AC/DC 80Vdc-170Vdc
SDPOWR.10	Power Supply AC/DC 80Vdc-170Vdc+START UP circuit - It is necessary with ISD

Ordering code with optional : SDPOWT.00

SDPOWT.00	Power Supply AC/DC up to 160Vdc
-----------	---------------------------------